

# HIGHLAND

## Dual Recycling Bin

CORBY

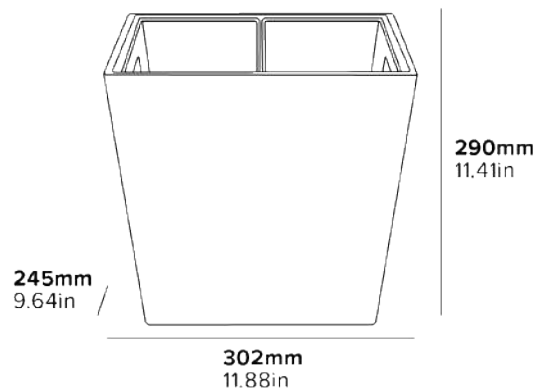


- PU leather
- Durable construction
- Raised plastic feet
- Supplied with metal recycling inserts



### Specification

Black  
3.85kg  
6L + 6L



# HIGHLAND

## Dual Recycling Bin

CORBY



### ABOUT THIS PRODUCT

The Highland Dual Recycling Bin in black is a premium, luxury solution for stylish and sustainable waste management. Expertly wrapped in high-quality PU leather, it brings an elegant, sophisticated finish to any interior. Designed with durability in mind, this bin features dual sleek metal compartments (6L + 6L) for effortless recycling, while raised feet provide stability and protect surfaces. The Highland Dual Recycling Bin offers an organised, eco-conscious approach without compromising on style.