

COLLECTIVE USE

Push-Button



SC1088HT



SC1088HTCS

General description

- Saniflow® with flex hose and handle hair dryer is the hair dryer for collectivities that is most widely used in the world, regardless of the location to be fitted.
- These machines, push-button operated, also feature easy maintenance, low noise levels and a high level of user safety. Together with an accurate design of components, SANIFLOW dryers boast the most powerful airflow in the world, which, combined with a comfortable drying temperature, reduces drying times to a minimum.
- With a 1.5 mm. thick steel cover, these hair dryers are available in 2 different finishes (white enameled coating and satin). These hair dryers are ideal for Heavy traffic Bathrooms.
- Thus, these are proven models with a long durability and complete reliability, with anti-vandalism features and designed to be installed in high traffic of people such as sport centers, swimming pools, SPA and wellness centers and large recreational areas, among others.

Components & materials:

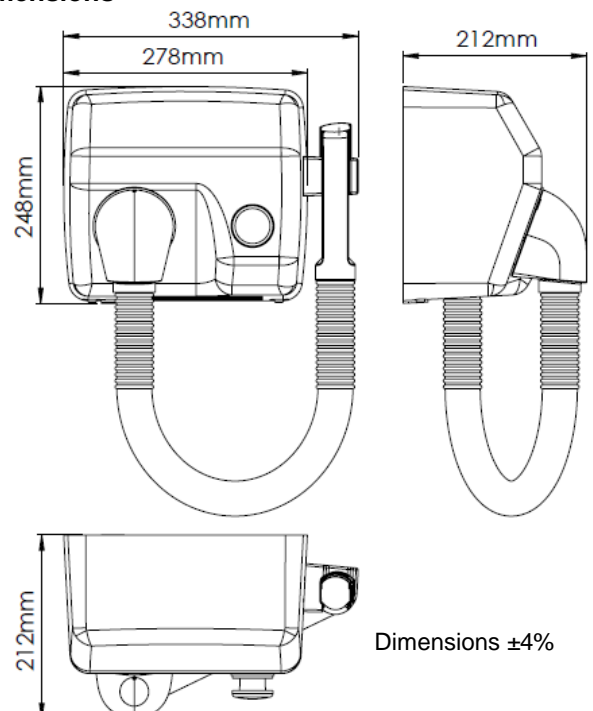
- **SC1088HT:** 1.5 mm. thick steel cover, white enameled coating finish.
- **SC1088HTCS:** 1.5 mm. thick steel cover, satin finish.
- One-piece steel cover fixed to the base by means of 2 vandal-proof lock screws and lock with special Saniflow® wrench.
- Base in aluminium, 3 mm thick, with 4 Ø 8 mm holes for wall mounting.
- Fire resistant plastic UL 94-VO fan scroll.
- Universal brush motor, 5,500 rpm, F class, which includes a safety thermal cut-off.
- Aluminium centrifugal double symmetrical inlet fan wheel.
- Waved wire NiCr heating element on a mica frame that incorporates a thermal cut-off.
- Fixed nozzle in chrome plated Zamak.
- White handle, tube-handle adaptor, tube-nozzle adaptor, and handle holder made in PBT (Polybutylene).
- Hose made in polyurethane with stretching springsteel spiral.
- Push-button in chrome plated Zamak, that activates an electro-mechanic timer with a 90 second cycle.
- 4 silent blocks to eliminate vibrations.

Technical Specifications

Voltage	220- 240 V
Frequency	50/60 Hz
Electrical Isolation	Class I
Total power	1,000 W
Consumption	4.5 A
Motor power	250 W
Rpm	5,500
Heating element power	750 W
Dimensions	248x338x212 mm
Weight	6.6 Kg
Cover thickness	1.5 mm
Effective airflow	59 m ³ /h (984 L/min)
Air velocity	97 Km/h
Air temperature (10 cm distance/21°C)	40 °C
Sound pressure ^(*) (at 2m)	70 dBA
Protection rating	IP21
Hose length	1,000-2,500 mm

(*) According to UNE EN ISO 11201:2010 V2 standard.

Dimensions



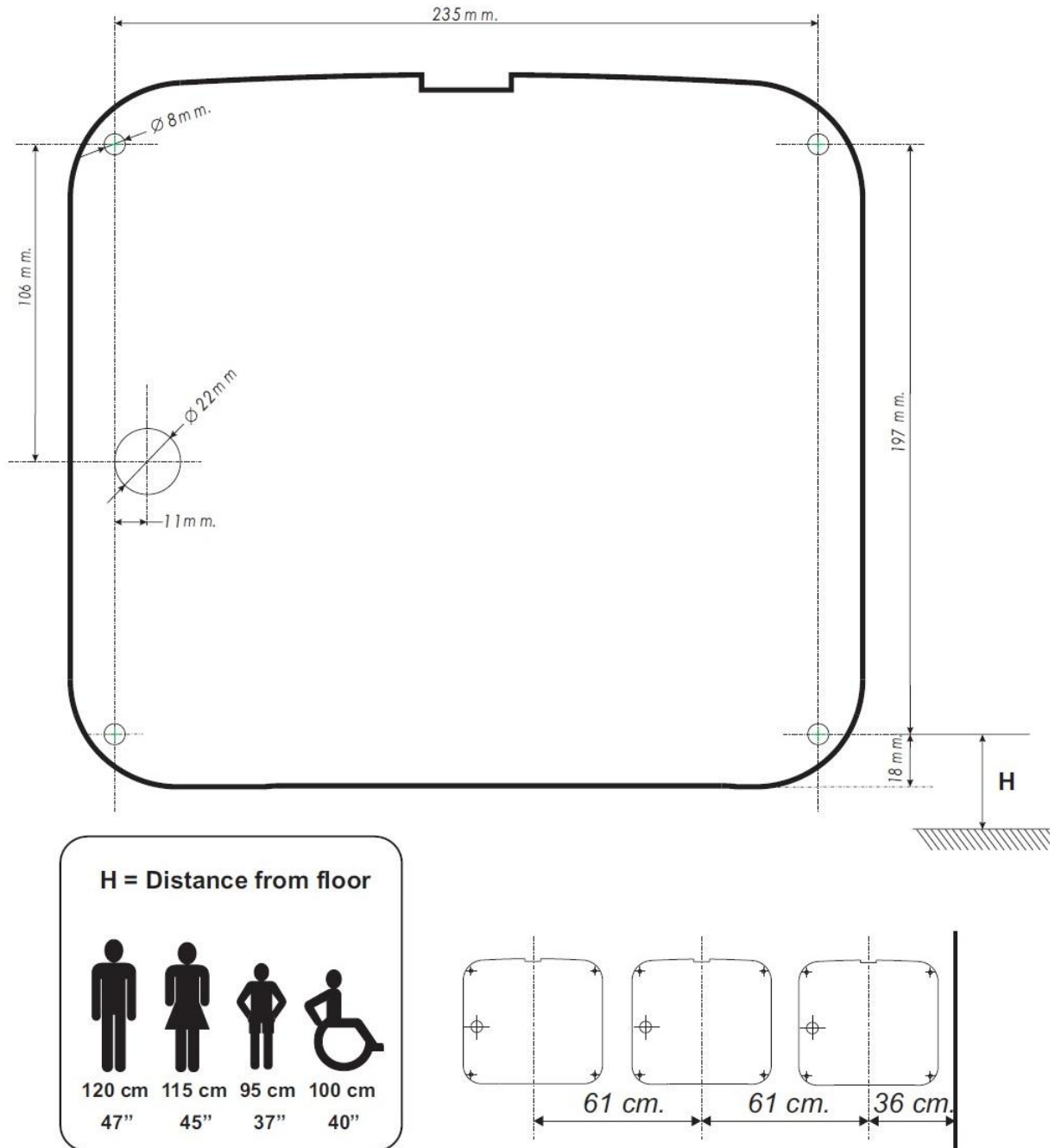
Dimensions ±4%

Operation

Take down the ergonomic handset from its holder and press the push-button to initiate the drying process. The dryer will go on with no interruption for 90 seconds. Please direct the handset to the hair at your own convenience. Once you are finish, hang the handset to the holder.

Mounting

Recommended heights distance from the floor



Certificates & Qualifications

