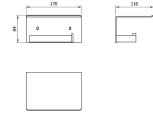
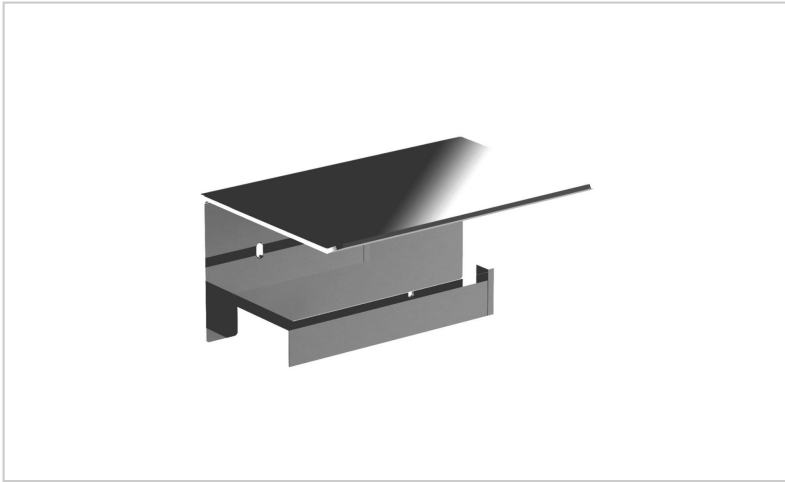


Chrome-plated brass roll holder Creta series



Description

- Toilet roll holder.
- Top lid with shelf function.
- Durability.
- Resistant to corrosion.
- Suitable for public environments and high frequency of use.
- Finish: glossy.
- Made from AISI 304 stainless steel.
- Stainless steel fixing material included.
- Concealed fixing.
- Fixing system screwed into the wall using a plate.
- Maintenance: stainless steel requires maintenance, as dirt over time can damage the chromium (Cr) that stainless steel contains. We recommend monthly cleaning with a specialized stainless steel product.
- Dimensions: 84 x 170 x 116 mm (Height x Width x Depth)

Features

Marca

Categoria Toilet Paper Dispensers

Price

Price 35,26 €

Without VAT 28,67 €

Product in Store

[Chrome-plated brass roll holder Creta series](#)

Documents

[_Technical Data Sheets - ES \(180.63 Kb\)](#)